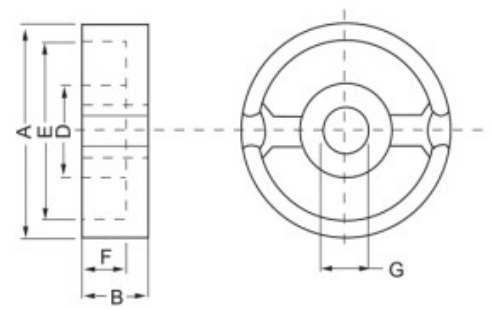


Ferrite Cores

Mn-Zn

POT TYPE



NO.	Specifications	Dimension(mm)					
		A	B	D	E	F	G
1	G26	25.5±0.5	8.2±0.2	11.3±0.2	21.2min	5.5±0.2	5.5±0.1
2	G35	35.0±0.6	11.8±0.2	15.7±0.2	29.5min	8.1±0.2	5.3±0.1